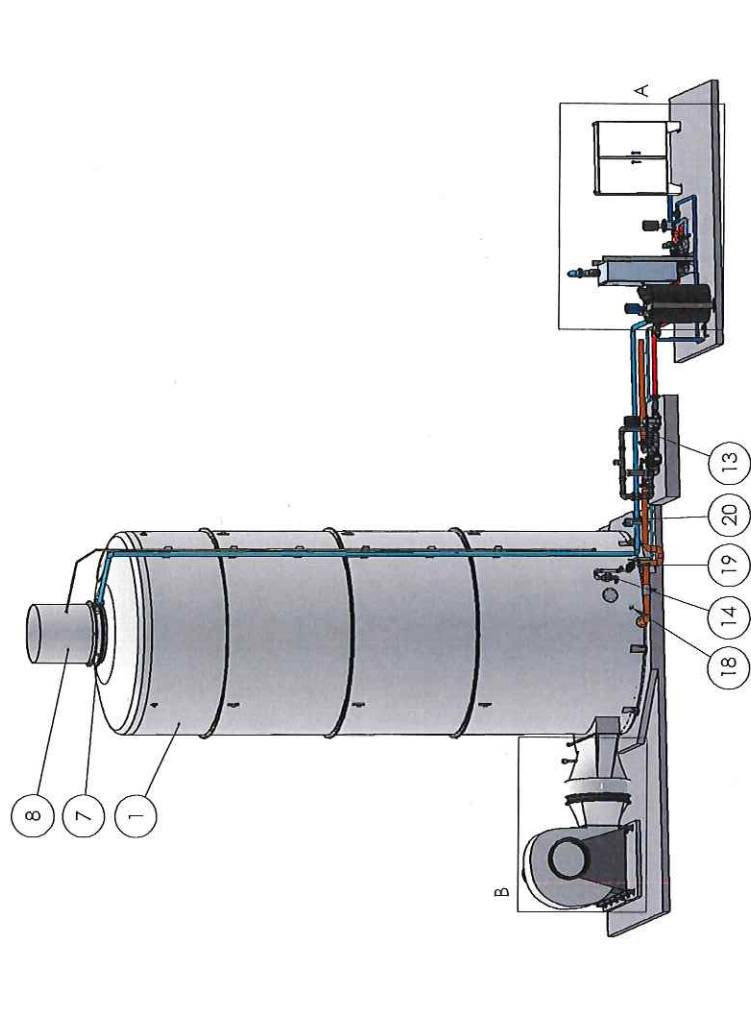
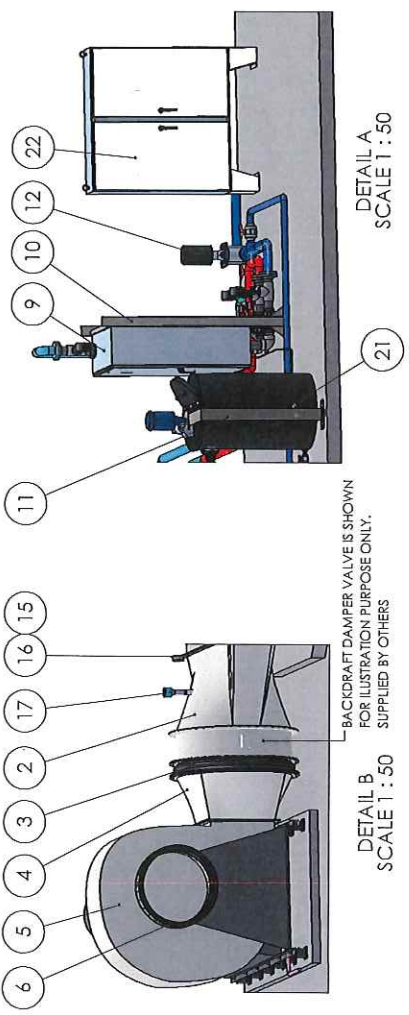


REV.	DATE	ECN#	REVISION RECORD	ENG	CHK
A	10/11/2016			KZ	



BACKDRAFT DAMPER VALVE IS SHOWN FOR ILLUSTRATION PURPOSE ONLY. SUPPLIED BY OTHERS

ITEM	PART NO.	QTY.	DESCRIPTION	OPERATION WEIGHT [LB]
1	RA146100_P16114	1	ECOFILTER EF146, REACTOR ASSEMBLY, FRP	104900
2	TP488000_P16114	1	Ø48", PS15-69 X 20"X80", TRANSITION, FRP	195
3	FC480000_P16114	1	Ø48", PS-15-69, FLEX CONNECTOR, EPDM	60
4	BT483000_P16114	1	Ø48", PS15-69, x REC. BLOWER OUTLET TRANSITION, FRP	45
5	BL300000_P16114	1	BLOWER, CW, BH, FRP	2300
6	FC300000_P16114	1	Ø30", PS15-69, FLEX CONNECTOR, EPDM	45
7	NA483000_P16114	1	Ø48", PS15-69, NOZZLE ASSEMBLY, PP	20
8	ST484800_P16114	1	Ø48", PS15-69, X H=48", OUTLET STACK, FRP	55
9	WP301001_P16114	1	Ø3", ANSI 150, WATER PANEL, 316SS	160
10	FS32200_P16114	1	PANEL STAND, 316SS	50
11	NB150000_P16114	1	150GAL, NUTRIENT TANK, PP	1370
12	22SV4GJ4F60	1	Ø2", ANSI 250, GOULDS, CENTRIFUGAL PUMP	135
13	RS000800_P16114	1	Ø3", ANSI 150, STARTUP SYSTEM, CDLF20-4, PVC-U	185
14	MW204000_P16114	1	Ø2", MAKE-UP WATER ASSEMBLY, PVC	10
15	2025	1	0-25" W.C. DWYER DIFF. PRESSURE GAUGE	2
16	SW000100_P16114	1	DIFFERENTIAL PRESSURE GAUGE MOUNTING BRACKET, 316SS	2
17	214C644	1	ROSEMOUNT 214C TEMPERATURE SENSOR & 644 TEMPERATURE TRANSMITTER	5
18	L6	1	L6, DWYER LIQUID LEVEL SWITCH, PPS	2
19	396R	1	ROSEMOUNT 396R, PH PROBE	3
20	1056	1	ROSEMOUNT 1056 PH ANALYZER	3
21	LB-WP	1	LB-WP, DWYER LIQUID LEVEL SWITCH, PPS	3
22	CD16114-BTF1	1	ELECTRICAL CONTROL PANEL, 316SS	950

OTHER TRADE NAMES, REGISTERED TRADE NAMES, PATENTED OR PENDING DESIGNS, PROPRIETARY AND REMAIN THE PROPERTY OF BIOAIR SOLUTIONS, L.L.C. AND SUBSIDIARIES. IT IS NOT TO BE REPRODUCED OR TRANSMITTED IN ANY FORM OR BY ANY MEANS, ELECTRONIC OR MECHANICAL, INCLUDING PHOTOCOPYING, RECORDING, OR BY ANY INFORMATION STORAGE AND RETRIEVAL SYSTEM, WITHOUT THE EXPRESS WRITTEN PERMISSION OF BIOAIR SOLUTIONS, L.L.C.

MATERIAL SEE TABLE



DRAWN BY	KZ	DATE	10/11/2016	ENG APPR.		DATE		OC APPR.	
PART NAME									
GENERAL ARRANGEMENT ECOFILTER EF146 - BTF1									
UNITS OTHERWISE SPECIFIED		SIZE		DWG. NO.		REV			
DIMENSIONS ARE IN INCHES		B		EF146-BTF1-GA_P16114		A			
TOLERANCES ARE:									
ANGULAR: ±1°									
FRACTIONS: 1/4									
TWO PLACE DECIMAL: ±.060									
THREE PLACE DECIMAL: ±.000									
SCALE: 1:100								SHEET 1 OF 4	